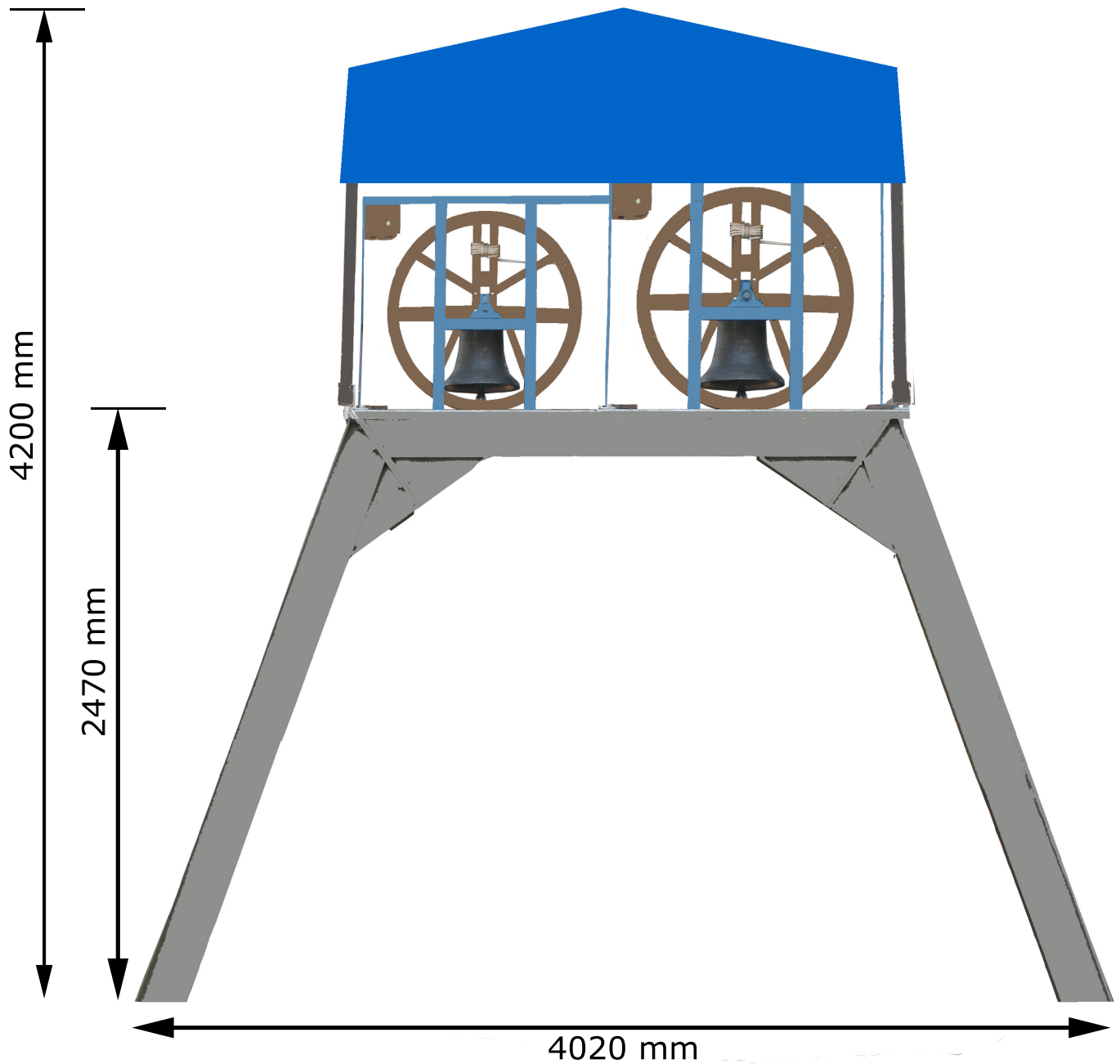


Charmborough Ring overall dimensions



Area plan after erection: 4020 mm x 2030 mm

Area required to lay out before erection: 4500mm x 7500 mm